

30-FUNCTION REMOTE-CONTROL RECEIVER

DESCRIPTION

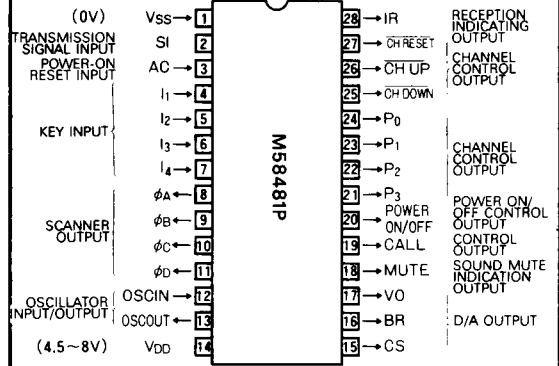
The M58481P is a 30-function remote-control receiver circuit manufactured by aluminum-gate CMOS technology for use in television receivers, audio equipment, and the like using infrared for transmission. It enables direct control of 16 functions at the receiver.

The M58481P is intended for use with an M58480P or M58484P transmitter.

FEATURES

- Single power supply
- Wide supply voltage range: 4.5V~8V
- Low power dissipation
- On-chip oscillator
- Low-cost LC or ceramic oscillator used in determining reference frequency (480 kHz or 455 kHz)
- Information is transmitted by pulse code modulation
- Good noise immunity—instructions are not executed unless same code is received three or more times in succession
- Single transmission frequency (40 kHz or 38 kHz) for carrier wave
- 16 TV channels selected directly
- Three analog functions—volume, brightness and color saturation—are independently controlled to 64 stages by three 6-bit D/A converters.
- 16 commands are controlled at the M58481P receiver as well
- Has large tolerance in operating frequency between the transmitter and the receiver
- Can be connected with an M51231P or equivalent touch-control channel selector.

PIN CONFIGURATION (TOP VIEW)



Outline 28P1

APPLICATIONS

- Remote-control receiver for TV or other applications

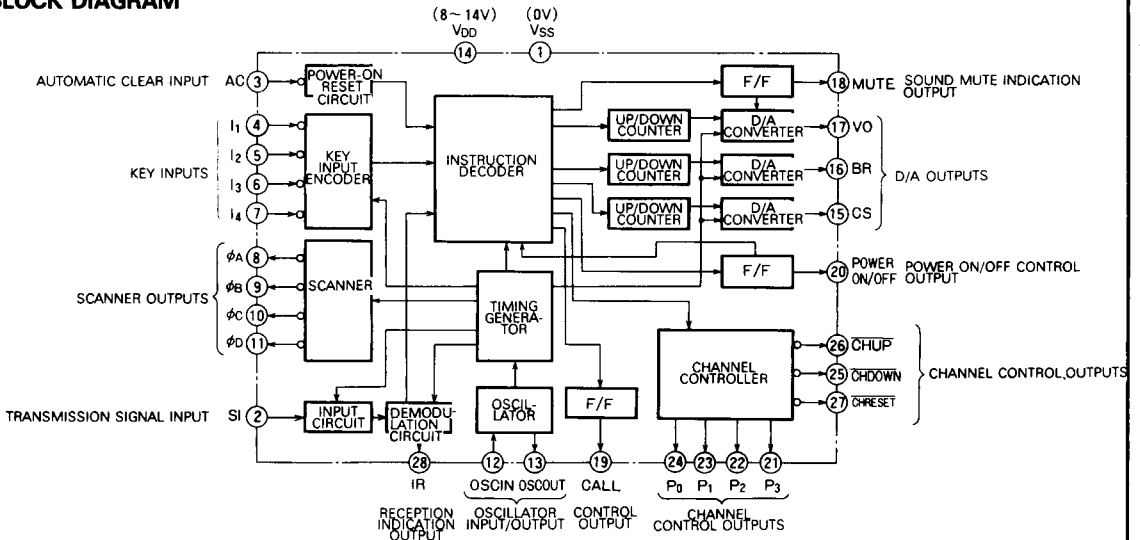
FUNCTION

The M58481P is designed to decode and execute instructions after three successive receptions of the identical instruction code, providing a good noise immunity.

Instructions comprise direct selection of 16 channels, channel position high and low, volume high and low, brightness high and low, color saturation high and low, normalization of volume, brightness and color saturation, sound mute on and off, TV main power on and off, and output CALL on and off.

In addition, 16 functional instructions can be entered from the receiver.

BLOCK DIAGRAM



10

30-FUNCTION REMOTE-CONTROL RECEIVER

FUNCTIONAL DESCRIPTION

Oscillator

As the oscillator is on-chip, oscillation frequency is easily obtained by connecting an external LC network or ceramic resonator between the OSC IN and OSC OUT terminals. Figs. 1 and 2 show typical oscillators.

Fig. 1 An example of an oscillator (using ceramic resonator)

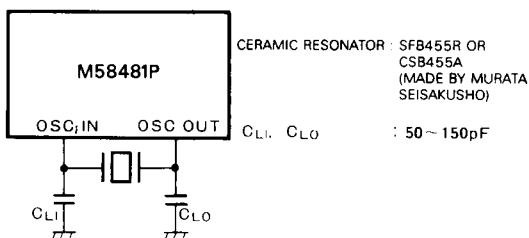
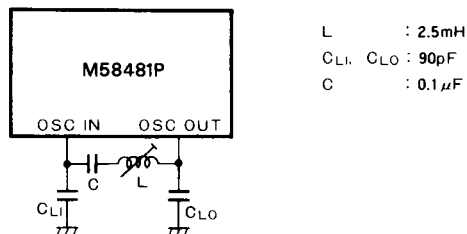


Fig. 2 An example of an oscillator (using LC network)



Reception Signal Input Circuit and Demodulation Circuit

The reception signal caught by the photo detector is amplified in the amplifier and added to the SI, where it is converted into a pulse signal in the input circuit to be sent to the demodulation circuit. In the demodulation circuit, the pulse interval of the pulse signal is judged and then converted into the digital code to be sent to the instruction decoder.

SI is applied as amplified, either through a capacitor coupling (Fig. 3) or directly as a pulse signal (Figs. 4 and 5). A Schmitt trigger circuit is provided in the SI input circuit for preventing spurious operation due to noise.

Fig. 3 SI input waveform (when applied through a capacitor coupling)



Fig. 4 SI input waveform (when applied directly)

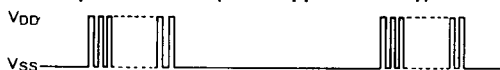
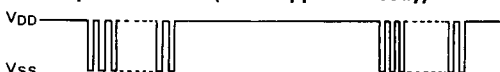


Fig. 5 SI input waveform (when applied directly)



Instruction Decoder

The instruction decoder starts to function after receiving the same instruction code three or more times in succession from the demodulation circuit.

Table 1 shows the relations between the reception code and instruction function. To prevent spurious operation, there is no code 000000.

Table 1 Relations between reception codes and instructions

Reception code						Function	Remarks
D ₁	D ₂	D ₃	D ₄	D ₅	D ₆		
1	0	0	0	0	0	CH UP	Channel up
0	1	0	0	0	0	CH DOWN	
1	1	0	0	0	0	VO UP	Analog control
0	0	1	0	0	0	VO DOWN	
1	0	1	0	0	0	BR UP	
0	1	1	0	0	0	BR DOWN	
1	1	1	0	0	0	CS UP	Sound mute on/off
0	0	0	1	0	0	CS DOWN	
1	0	0	1	0	0	MUTE	Normalization of analog control
0	1	0	1	0	0	VO(1/3)	
1	1	0	1	0	0	BR(1/2)	
0	0	1	1	0	0	CS(1/2)	Output CALL on/off
1	0	1	1	0	0	CALL	
0	1	1	1	0	0	POWER ON/OFF	Power on/off
0	0	0	0	1	0	CH 1	Channels selected directly
1	0	0	0	1	0	CH 2	
0	1	0	0	1	0	CH 3	
1	1	0	0	1	0	CH 4	
0	0	1	0	1	0	CH 5	
1	0	1	0	1	0	CH 6	
0	1	1	0	1	0	CH 7	
1	1	1	0	1	0	CH 8	
0	0	0	1	1	0	CH 9	
1	0	0	1	1	0	CH 10	
0	1	0	1	1	0	CH 11	
1	1	0	1	1	0	CH 12	
0	0	1	1	1	0	CH 13	
1	0	1	1	1	0	CH 14	
0	1	1	1	1	0	CH 15	
1	1	1	1	1	0	CH 16	

Key Inputs

16 different instructions can be input by a 4 x 4 keyboard matrix consisting of inputs I₁ ~ I₆ and scanner outputs φA ~ φE. Protection is also available against chattering within 10ms.

Entry priority is given to the first key depressed, and subsequent key entry is not allowed unless all keys are released. When two or more keys are depressed at the same time, scanner outputs may short-circuit, disabling all functions.

While one of the keys is depressed, instructions from the transmitter are ignored.

30-FUNCTION REMOTE-CONTROL RECEIVER

Table 2 Relations between keyboard matrix and instructions

Scanner output Key input	ϕD	ϕC	ϕB	ϕA
I ₁	CH RESET	CH DOWN	CH UP	POWER ON/OFF
I ₂	MUTE	VO DOWN	VO UP	VO(1/3)
I ₃	VO(1/3) BR(1/2) CS(1/2)	BR DOWN	BR UP	BR(1/2)
I ₄	CALL	CS DOWN	CS UP	CS(1/2)

Indication of Reception

As soon as an identical code is received three times, output IR turns from low-level to high-level. Thus reception of an instruction from the transmitter can be indicated by an LED connected to output IR. Table 2 shows the relations between the keyboard matrix and the instructions.

Analog Outputs (VO, BR, CS)

As three 6-bit D/A converters are contained internally, three kinds of analog values can be controlled to 64 stages independently. The D/A converters are pulse-width modulator, the repetition frequency is 1.25 kHz (when $f_{OSC} = 480$ kHz) and minimum pulse width is 12.5 μ s.

Analog values can be incremented/decremented at a rate of about 1 step/0.1sec through the remote control or key input. The time required for increasing the analog value from the minimum to the maximum is about 6.6 seconds (when $f_{OSC} = 480$ kHz).

It is also possible to set the analog values to 1/3 (VO), 1/2 (BR, CS) of these maximum values by means of the remote control or the key input (normalization).

Sound Mute

Sound mute on/off is controlled through the remote control or the key input. When sound mute is on, output VO goes low, and output MUTE goes high.

Sound mute is automatically released from ON when VO is either incremented or decremented by remote control or the key input.

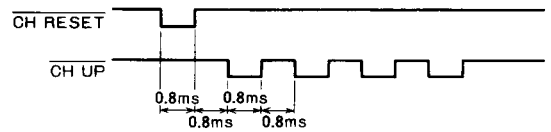
Channel Control

It is possible to employ either of two channel-control methods: parallel control by outputs P₀~P₃, and serial control by outputs CH UP, CH DOWN, and CH RESET.

In parallel control, a 4-bit address corresponding to a selected channel number appears at output P₀~P₃. Table 3 shows the relation between channel numbers and outputs P₀~P₃.

In serial control, a single pulse appears on the output CH RESET first, and then the pulses whose number is deducted by one from the selected channel number appear on the output CH UP, as shown in Fig. 6. Up and down

Fig. 6 Timing chart of serially controlled channel selection (when $f_{osc} = 480$ kHz)



channel switching, is controlled by a single pulse appearing at output CH UP or CH DOWN, allowing connection to the M51231P or equivalent touch-control channel selector IC.

During direct channel selection or up-down channel switching, output VO goes low for 25~50ms.

Table 3 Relations between channel number and address output P₀~P₃.

Channel number	Address outputs			
	P ₀	P ₁	P ₂	P ₃
1	0	0	0	0
2	1	0	0	0
3	0	1	0	0
4	1	1	0	0
5	0	0	1	0
6	1	0	1	0
7	0	1	1	0
8	1	1	1	0
9	0	0	0	1
10	1	0	0	1
11	0	1	0	1
12	1	1	0	1
13	0	0	1	1
14	1	0	1	1
15	0	1	1	1
16	1	1	1	1

Power On/Off

The remote control or the key input makes it possible to turn the POWER ON/OFF output from low to high or vice versa, effecting on/off control of the TV set.

While POWER ON/OFF is low, all channel and analog controls through the remote control are disabled, as are all through the keyboard, except CH RESET ($\phi D \sim I_1$), VO (1/3), BR (1/2), and CS (1/2) ($\phi D \sim I_3$).

Output CALL

The output CALL is turned high or low by remote control or the key input. This output effects on/off control of channel number indication or change of receiving modes of multi-channel broadcasting.

Power-on Reset

Attaching a capacitor to terminal AC activates the power-on reset function when power is on to the M58481P.

Activation of the power-on reset function sets outputs VO, BR, and CS to 1/3, 1/2, and 1/2, respectively, of their maximum value, turns POWER ON/OFF and CALL outputs low, and turns outputs P₀~P₃ to 0000.

30-FUNCTION REMOTE-CONTROL RECEIVER

ABSOLUTE MAXIMUM RATINGS

Symbol	Parameter	Conditions	Limits	Unit
V _{DD}	Supply voltage	With respect to V _{SS}	-0.3-9	V
V _I	Input voltage		V _{SS} ≤ V _I ≤ V _{DD}	—
V _O	Output voltage		V _{SS} ≤ V _O ≤ V _{DD}	—
P _d	Maximum power dissipation	T _a = 25°C	300	mW
T _{opr}	Operating free-air temperature range		-30-70	°C
T _{stg}	Storage temperature range		-40-126	°C

RECOMMENDED OPERATING CONDITIONS

Symbol	Parameter	Limits			Unit
		Min	Nom	Max	
V _{DD}	Supply voltage	4.5		8	V
f _{osc}	Oscillation frequency		455		kHz
V _I	Input voltage, SI	3	480		V _{P-P}

ELECTRICAL CHARACTERISTICS (T_a = 25°C, unless otherwise noted)

Symbol	Parameter	Test conditions	Limits			Unit
			Min	Typ	Max	
V _{DD}	Operating supply voltage	T _a = -30 ~ 70°C, f _{osc} = 455kHz	4.5		8	V
I _{DD}	Supply current	V _{DD} = 5V, f _{osc} = 455kHz		0.4	1	mA
		V _{DD} = 8V, f _{osc} = 455kHz		1.5	3	mA
R _I	Pull-up resistors, I ₁ ~ I ₄			20		kΩ
I _{OL}	Low-level output currents, φ _A ~ φ _D	V _{DD} = 8V, V _O = 8V	3			mA
I _{OL}	Low-level output currents, CH UP, CH DOWN, CH RESET	V _{DD} = 8V, V _O = 8V	15			mA
I _{OZH}	Off-state output currents, CH UP, CH DOWN, CH RESET	V _{DD} = 8V, V _O = 8V			1	μA
I _{OH}	High-level output currents, P ₀ ~ P ₃	V _{DD} = 8V, V _O = 0V	-0.5			mA
I _{OL}	Low-level output currents, P ₀ ~ P ₃	V _{DD} = 8V, V _O = 8V	15			mA
I _{OH}	High-level output currents, VO, BR, CS	V _{DD} = 8V, V _O = 0V	-5			mA
I _{OL}	Low-level output currents, VO, BR, CS	V _{DD} = 8V, V _O = 8V	10			mA
I _{OH}	High-level output currents, POWER ON/OFF, CALL, MUTE	V _{DD} = 8V, V _O = 0V	-15			mA
I _{OL}	Low-level output currents, POWER ON/OFF, CALL, MUTE	V _{DD} = 8V, V _O = 8V	3			mA
I _{OH}	High-level output current, IR	V _{DD} = 8V, V _O = 0V	-10			mA
I _{OL}	Low-level output current, IR	V _{DD} = 8V, V _O = 8V	3			mA

An example of an application circuit

